



# Next generation of motor on-board inverter



[nastec.eu](http://nastec.eu)

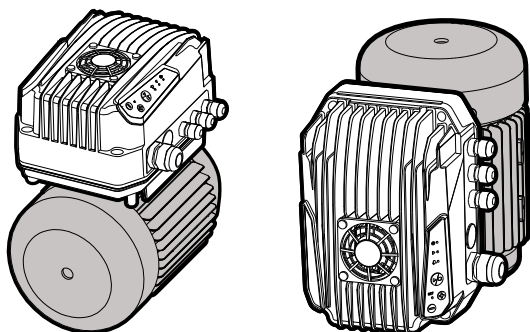
  
**NASTEC**<sup>®</sup>  
> we move it faster >

# Ideal for water booster sets, HVAC systems with circulating pumps and control of submersible pumps

## It ensures:

- Energy saving due to variable speed control.
- Soft start and soft stop.
- Extended system life and reliability.
- Installation on humid and dusty environments made possible by IP55 (NEMA 4) protection degree.
- Simplified installation on motor or wall.
- Easy and fast commissioning thanks to initial configuration wizard.
- High thermal and mechanical performance thanks to aluminium case and independent ventilation.

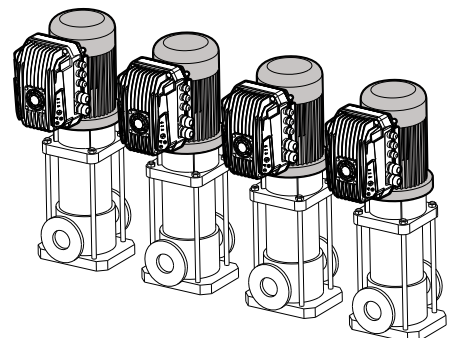
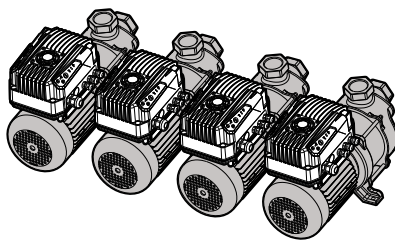
MIDA can be installed directly on motor terminal box of horizontal or vertical axis pumps





## Multi-pump operation COMBO

- Up to 8 units.
- Alternance for uniform pump wearing.
- Master or slave replacement in case of failure to ensure continuity of operation.



## Several control modes:

- Constant pressure control.
- Constant or proportional differential pressure control.
- Constant temperature control.
- Constant differential temperature control.
- Constant flow control.
- External frequency control (trimmer) or 1 or 2 preset frequencies control.

## Built-in protections against:

- Overvoltage and undervoltage.
- Overcurrent and no load.
- Dry running.
- Overtemperature.



## EMC compatibility for residential environment on single phase models:

- Integrated PFC (P.F. 1) to meet EN61000-3-2
- Integrated input filter for Category C1 (EN61800-3), Class B (EN55011)

## Advanced motor controls:

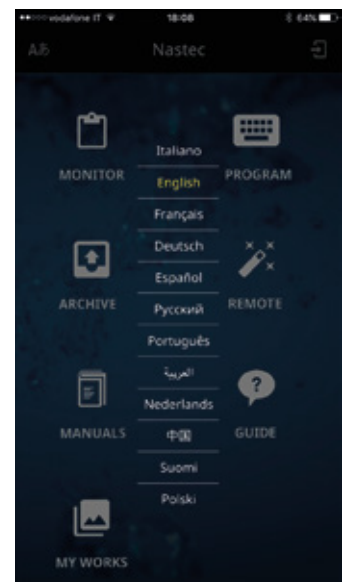
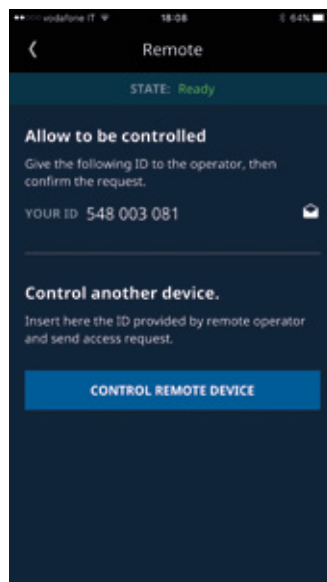
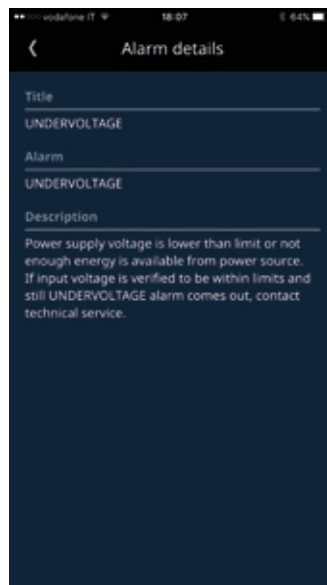
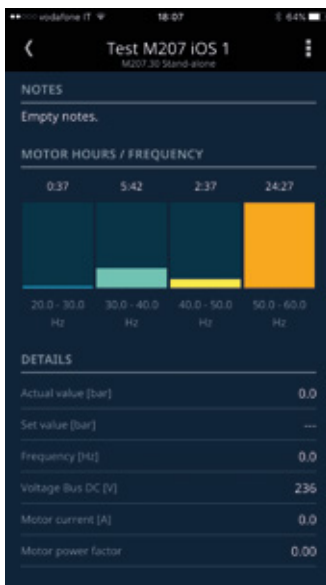
- Next generation control of asynchronous motors.
- Sensorless control of permanent magnet synchronous motors.



# Unmatched user experience

Thanks to Nastec NOW App it's possible to communicate with all Nastec devices Bluetooth® SMART in order to:

- Monitor multiple operating parameters simultaneously on the wide, high definition, coloured screen of your smartphone or tablet.
- Get statistics of energy consumption and check alarms history.
- Make programs, save them in the archive, copy them to other devices and share them among multiple users.
- Perform reports with the possibility to insert notes, images and email them or keep them into the digital archive.
- Remotely control, via wi-fi or GSM, a Nastec device, using a smartphone nearby as a modem.



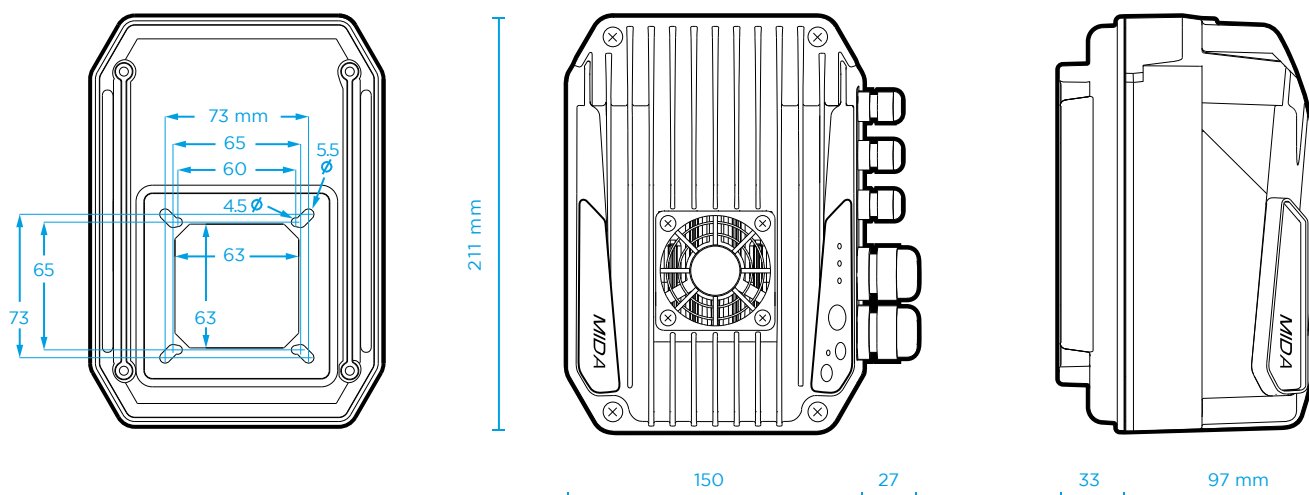
# Technical specifications

Model	Vin ± 15% VAC	Max V out VAC	Max I in A	Max I out A	P2 motor power * kW
MIDA 203	1 x 230	3 x Vin	4,5	3	0,55
MIDA 205	1 x 230	3 x Vin	7,5	5	1,1
MIDA 207	1 x 230	3 x Vin	11	7,5	1,5
MIDA 304	3 x 230	3 x Vin	3,7	4	0,75
MIDA 306	3 x 230	3 x Vin	5,4	6	1,1
MIDA 309	3 x 230	3 x Vin	8	9	2,2
MIDA 404	3 x 380 - 460	3 x Vin	3,7	4	1,1
MIDA 406	3 x 380 - 460	3 x Vin	5,4	6	2,2
MIDA 409	3 x 380 - 460	3 x Vin	8	9	4

\* Typical motor power. It is recommended to refer to rated motor current when selecting the MIDA model.

## General specifications

- Rated frequency: 50 - 60 Hz (+/- 2%)
- Ambient temperature: - 10 - 40°C (14 - 104 °F)
- Max. altitude at rated current: 1000 m
- Protection degree: IP66
- Settable digital outputs N.O. or N.C.:
  1. Motor run signal
  2. Alarm signal
- Analog inputs (10 or 15 VDC):
  1. 4-20 mA
  2. 4-20 mA
  3. 0 - 10 VDC
  4. 0 - 10 VDC
- 4 digital inputs, configurable N.O. or N.C. for motor run/stop
- RS485 MODBUS RTU, Bluetooth® SMART\* (4.0)



**Nastec srl**

Via della Tecnica 8  
36048 Barbarano Mossano  
Vicenza - Italy

tel +39 0444 886289  
fax+39 0444 776099  
info@nastec.eu

**nastec.eu**



> we move it faster >