

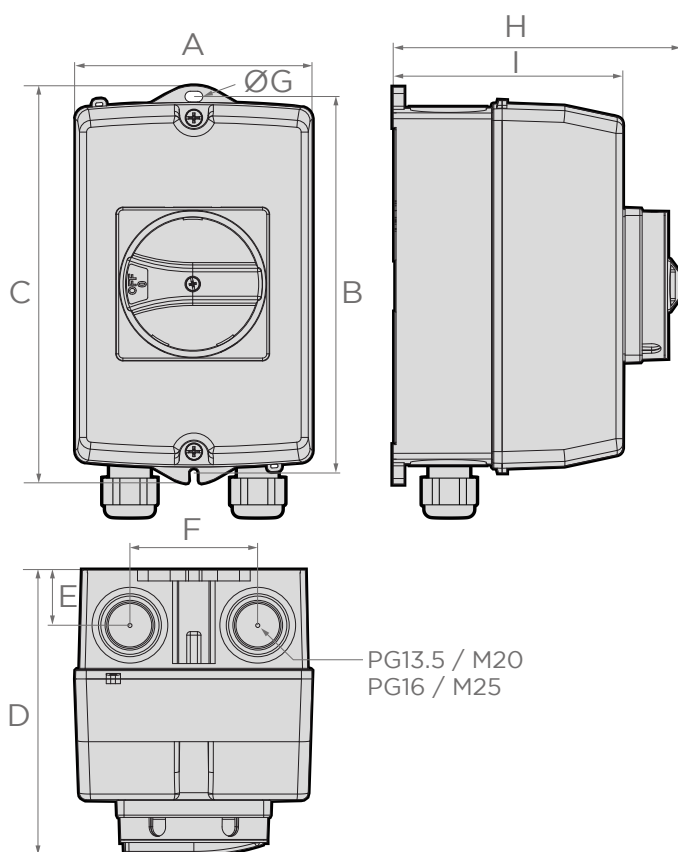
DC SWITCH

General characteristics

- Max breaking capacity:
 - 15 A / 800 VDC
 - 32 A / 500 VDC
- Enclosure material: ABS
- Padlockable handles
- Protection degree: IP65
- Cable entries: 2 x M20 cable glands
- Max ambient temperature: 50 °C
- Compliant with standards:
 - EN60947-3
 - EN60947-1



Dimensions



A	B	C	D	E	F	G	H	I	kg
mm	mm	mm	mm	mm	mm	mm	mm	mm	
100	159	167,7	120	23,3	54	4,5	120	97	0,45